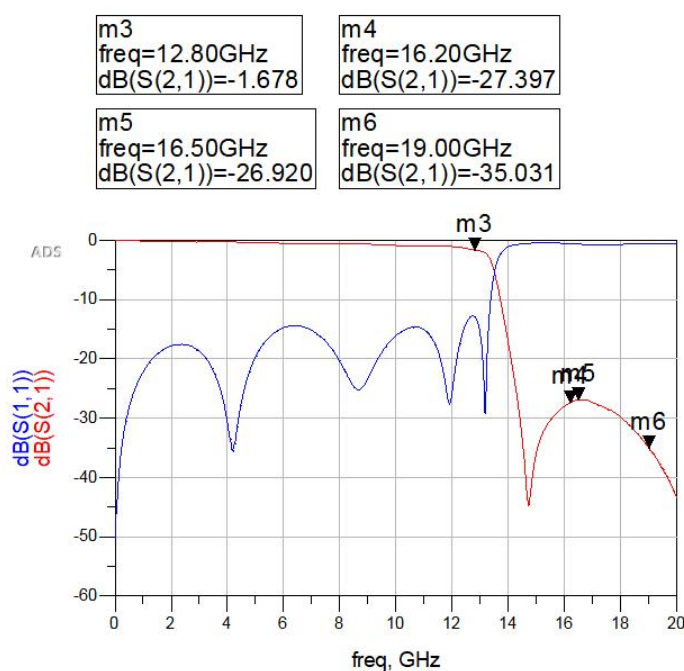


# QSLF12800-3216 低通滤波器

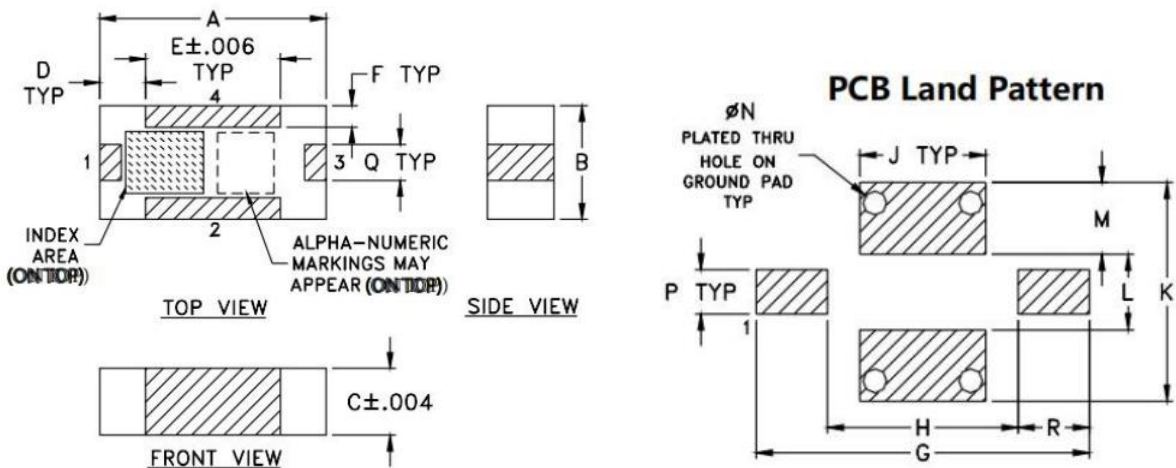
## ★电性能指标 Electrical properties(at 25°C)

| NO. | Item (项目)                          | Specification (特性)                                |
|-----|------------------------------------|---|
| 1   | Nominal Frequency 标称频率 f           | 12800 MHz   |
| 2   | Insertion Loss 插入损耗                | ≤4.0dB  |
| 3   | V. S. W. R(in BW) 驻波比              | ≤2.5  |
| 4   | Attenuation 阻带抑制                   | ≥20dB (at 16200 MHz)<br>≥25dB (at 16500-19000MHz) |
| 5   | Permissible Input Power 输入功率 (MAX) | 3 W   |
| 6   | In/Output Impedance 输入/输出阻抗        | 50 Ω  |

## Character 特性曲线



## Dimensions 外型尺寸



| Outline Dimensions: Unit (mm)0 |      |    |       |   |      |
|--------------------------------|------|----|-------|---|------|
| A                              | 3.20 | B  | 1.60  | C | 0.94 |
| D                              | 0.66 | E  | 1.91  | F | 0.30 |
| G                              | 4.62 | H  | 2.64  | J | 1.75 |
| K                              | 3.02 | L  | 1.04  | M | 0.99 |
| N                              | 0.33 | P  | 0.61  | Q | 0.51 |
| R                              | 0.99 | wt | 0.02g |   |      |